

QUADRAFOG

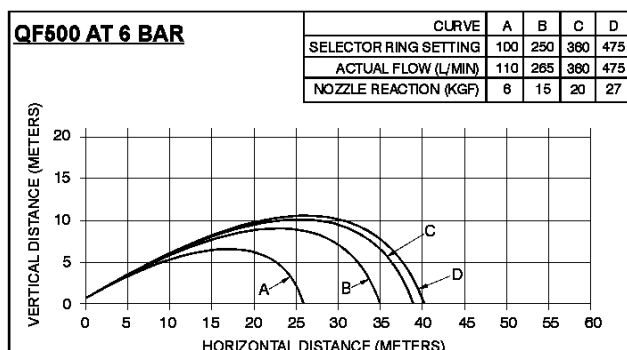
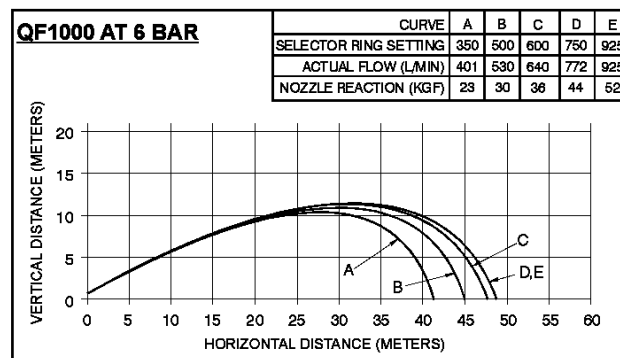
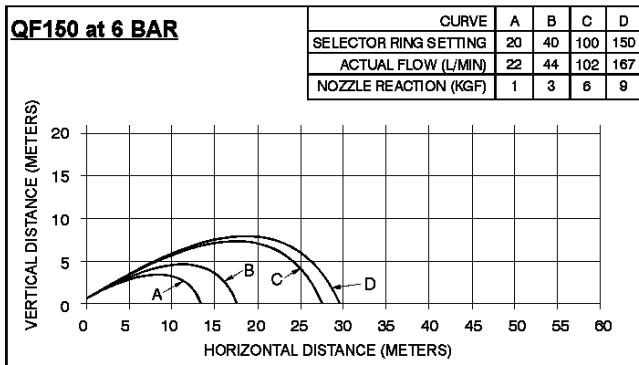
Guarantee
8
years

Multi-flow conventional nozzles

“ Excellent price-quality ratio ”



- ◆ Wide range of flowrates
- ◆ Operating pressure : from 3 to 40 bar
- ◆ Dense fog with full cone thanks to spray teeth so as to combine attacking the seat of the fire and protecting the fire-fighter
- ◆ Hard anodised aluminium body
- ◆ Stainless steel valve
- ◆ Rubber head protector
- ◆ Easy-change valve seat
- ◆ Flush possible during operation



Notes:

- In situ angle: 30°
- Effective range is 90% of maximum distance.
- Range with foam is 90% of water range.

QUADRAFOG FEATURES

Designation of QUADRAFOG 150 : nozzle type GFR20 DMR 4/10

Designation of QUADRAFOG 500 : nozzle type DSP40 DMR 8/18

| Model | Reference | Weight | Flowrate (l/min) | Pressure | Inlet |
|----------------|------------|---------|----------------------------|----------|-------------|
| QUADRAFOG 150 | I11.12.000 | 1kg 320 | 20 – 40 – 100 - 150 | 6 bar | 1" Female |
| QUADRAFOG 500 | I11.12.003 | 1kg700 | 100 – 250 – 350 - 475 | 6 bar | 1 ½" Female |
| QUADRAFOG 1000 | I11.12.005 | 2kg750 | 350 – 500- 600 – 750 – 925 | 6 bar | 2 ½" Female |

OPTIONS : POLYFOAM ADAPTERS

To produce high-quality foam

| BF Polyfoam Low expansion | Quadrafog 150 | Quadrafog 500 |
|---------------------------|---------------|---------------|
| Reference | I11.80.123 | I11.80.125 |
| weight (en gr) | 365 | 1400 |
| Dim. L x W (en mm) | 165 x 95 | 505 x 155 |

| MF Polyfoam Medium expansion | Quadrafog 150 | Quadrafog 500 |
|------------------------------|---------------|---------------|
| Reference | I11.80.134 | I11.80.135 |
| Weight (en gr) | 800 | 1300 |
| Dim. L x W (en mm) | 270 x 160 | 380 x 190 |

MAINTENANCE: reduced maintenance because of the robust design of the nozzle, the materials used and interchangeable valve seat.